

TG-25 Rotor

Flexible, low-cost rotor for tees and greens

For high-quality performance at an affordable price, it's hard to beat the TG-25 golf rotor. The TG-25 features a 31- to 59-foot watering radius that makes it ideal for tees, greens and other confined watering areas. Uniform distribution across the radius range ensures green grass even in the heat of summer. You'll find that for many applications the TG-25 is not only the best rotor for the job, it's the best value in the business.

Features

- New Rain Curtain™ nozzles deliver exceptionally uniform water distribution
- Durable block case offers 1" NPT, BSP or ACME threads for superior strength
- New Rain Curtain™ nozzles have larger ports which keep debris out for long-term reliability
- Patented, pressure-activated wiper seal and tapered riser stem protect internals from the grit and debris common in many non-potable applications
- Water-lubricated gear drive offers reliable, durable rotation in an environmentally friendly design
- Easy arc adjustment requires no special tools for fast, effortless modifications
- Diffuser screw allows radius reduction up to 25 percent without changing nozzles
- Color-coded nozzles make identification easy
- Self-adjusting stator does not require replacement when changing nozzles
- Nozzles are interchangeable from the front of the rotor with no special tools
- Part-circle models can be quickly identified via white arc adjustment screw
- 4" (10,2 cm) pop-up height to center of nozzle clears taller grass in the rough and around the tees
- Simple snap-cover provides quick access to the internal assembly without digging
- Heavy-duty stainless steel retract spring ensures positive retraction
- Proven, and recently enhanced, long-life gear drive ensures years of satisfaction
- Stainless steel trip gears ensure long life even in grit and sand

- Standard black plastic cover, optional black rubber cover, or optional purple non-potable cover available when ordering
- Three-year trade warranty or Five-year trade warranty when purchased with a Rain Bird Swing Joint

Operating Range

- Radius: 31'-59' (9,4-18,0 m)
Built-in diffuser screw can be adjusted to reduce the radius by 25%
- Pressure: 40 to 80 psi (2,8 to 5,5 Bars)
- Flow Rate: 3.5 to 14.1 gpm (0,22-0,89 l/s) (0,79-3,21 m³/h)
- Rotation Time: 180° in ≤ 75 seconds
- Maximum Stream Height: 13' (4,0 m)

Specifications

- 1" (2,5cm) female NPT, BSP or ACME threaded inlet
- SAM check device holds up to 10 feet (3,1 m) of head
- TG-25 nozzles: 04-black; 06-light blue; 08-green; 10-gray; 12-beige
- Nozzle outlet trajectory: 25°
- Case Type: Block case in reinforced polypropylene w/ snap-cover accessibility
- Arc: Part-Circle: Adjustable 40° to 360°
Full-Circle: 360°

Dimensions

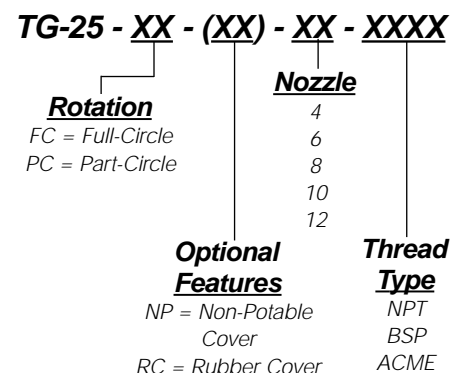
Body height: 9.6" (24,5 cm)
Top diameter: 4.25" (10,8 cm)
Pop-up height to nozzle: 4" (10, 2 cm)

Models

- TG-25 FC: Full-circle
- TG-25 PC: Part-circle
- TG-25 FC NP: Full-circle, non-potable plastic cover
- TG-25 PC NP: Part-circle, non-potable plastic cover
- TG-25 FC RC: Full-circle, black rubber cover
- TG-25 PC RC: Part-circle, black rubber cover



How to Specify/Order:





Model Specifications

The full- or part-circle sprinkler shall be a water-lubricated gear drive rotor capable of covering a ____ (units) radius at a base pressure of ____ (units) and a discharge rate of ____ (units). The rotor shall be installed with a number ____ nozzle that shall be ____ in color for ease of identification.

The part-circle sprinkler shall have adjustable arc coverage of 40 to 360 degrees. Arc adjustment can be performed with or without the rotor in operation and shall require only a flat-blade screwdriver. The part-circle rotor shall rotate through a 180 degree arc in 75 seconds or less. Rotation time through 360 degrees shall be 150 seconds or less for the full-circle sprinkler.

The sprinkler shall be fully serviceable from the top without requiring special tools. The internal assembly shall be retained in the case by a plastic snap ring. The rotor shall have a bearing guide that allows water to flush around the riser stem as it extends and seals against the riser when it is fully raised. The retract spring shall be of stainless steel and of sufficient force for positive retraction. The rotor shall have a variable stator to accommodate any nozzle and pressure.

The nozzle housing cover of the rotor shall indicate the model and have an arrow to indicate the position of the nozzle. The housing shall be installed with one of three color-coded nozzles. The nozzle shall be tested per ASAE S398.1 and be verified to deliver a scheduling coefficient (5 percent window) of 1.3 or less and a Christiansen coefficient of uniformity of 85 percent or greater at the specified spacing.

The sprinkler shall have a spring-loaded SEAL-A-MATIC™ holdback device in the base of the case and shall be used with a pressure-regulating, in-line electrically-actuated valve. The device shall hold back at least 10' (3,1 m) of elevation.

The rotor case shall have a top diameter of 4.25" (10,8 cm) and an overall height of 9.6" (24,5 cm). The case shall have a 1" (2,5 cm) female NPT, BSP or ACME threaded inlet.

The sprinkler shall be as manufactured by Rain Bird Sprinkler Mfg. Corp., Glendora, California.

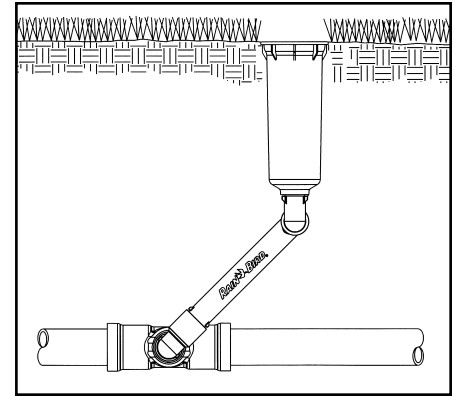
Optional Feature—Non-Potable Plastic Cover – TG-25 FC NP, TG-25 PC NP

The rotor shall have a purple plastic cover to indicate to the user that non-potable water is being used. There shall be no difference between the black and purple covers except for the color.

Optional Feature—Black Rubber Cover – TG-25 FC RC, TG-25 PC RC

The rotor shall have a three-part rubber cover. The rubber nozzle housing cover shall indicate the model. The rubber cover shall include a rubber snap ring cover and a rubber outer ring.

The rotor case shall have a top diameter of 4.75" (12,1cm) and an overall height of 10.0" (25,4 cm).



NOTE: Built-in diffuser screw can be adjusted to reduce the radius by up to 25%.

Performance Data – U.S.

Rain Curtain™ Nozzles

Base Pressure (psi)	Black #4		Lt. Blue #6		Green #8		Gray #10		Beige #12	
	Radius (ft)	Flow (gpm)	Radius (ft)	Flow (gpm)	Radius (ft)	Flow (gpm)	Radius (ft)	Flow (gpm)	Radius (ft)	Flow (gpm)
40	39	3.5	43	5.0	47	6.5	49	8.0	51	9.8
50	39	3.9	45	5.6	49	7.4	51	9.1	53	11.0
60	39	4.2	45	6.2	49	8.1	53	10.0	55	12.2
70	41	4.6	47	6.6	49	8.8	53	10.8	57	13.3
80	39	4.8	47	7.1	49	9.4	53	11.6	59	14.1

Performance Data – Metric

Rain Curtain™ Nozzles

Base Pressure (bars)	Black #4			Lt. Blue #6			Green #8			Gray #10			Beige #12		
	Radius (m)	Flow (l/s)	Flow (m³/h)	Radius (m)	Flow (l/s)	Flow (m³/h)	Radius (m)	Flow (l/s)	Flow (m³/h)	Radius (m)	Flow (l/s)	Flow (m³/h)	Radius (m)	Flow (l/s)	Flow (m³/h)
2,8	11,9	0,22	0,79	13,1	0,32	1,14	14,3	0,41	1,49	14,9	0,51	1,82	15,5	0,61	2,21
3	11,9	0,23	0,82	13,3	0,33	1,18	14,5	0,43	1,55	15,1	0,53	1,90	15,8	0,64	2,32
3,5	11,9	0,25	0,89	13,7	0,36	1,28	14,9	0,47	1,69	15,6	0,58	2,07	16,2	0,70	2,52
4	11,9	0,26	0,94	13,7	0,38	1,38	14,9	0,50	1,81	16,0	0,62	2,23	16,6	0,76	2,72
4,5	12,2	0,28	1,00	14,0	0,41	1,46	14,9	0,54	1,93	16,2	0,66	2,37	17,1	0,81	2,90
5	12,3	0,29	1,05	14,3	0,43	1,53	14,9	0,56	2,03	16,2	0,69	2,50	17,5	0,85	3,06
5,5	11,9	0,31	1,10	14,3	0,45	1,61	14,9	0,59	2,14	16,2	0,73	2,63	18,0	0,89	3,21

All data are generated from tests conducted in accordance with ASAE Standard S398.1 for at least 30 minutes in zero-wind conditions.

Rain Bird Sales, Inc.-Golf Division

970 West Sierra Madre Avenue, Azusa, CA 91702
 Phone: (800) 984-2255, (626) 812-3600
 Fax: (800) 446-5309, (626) 812-3608

Rain Bird International, Inc.

145 North Grand Avenue, Glendora, CA 91741
 Phone: (626) 963-9311
 Fax: (626) 963-4287

www.rainbird.com

♻ Recycled Paper.
 Rain Bird. Conserving More Than Water.

® Registered Trademark of Rain Bird Sprinkler Mfg. Corp.
 © 1999 Rain Bird Sprinkler Mfg. Corp. 8/99